

# Davis

STYLING CHAIR

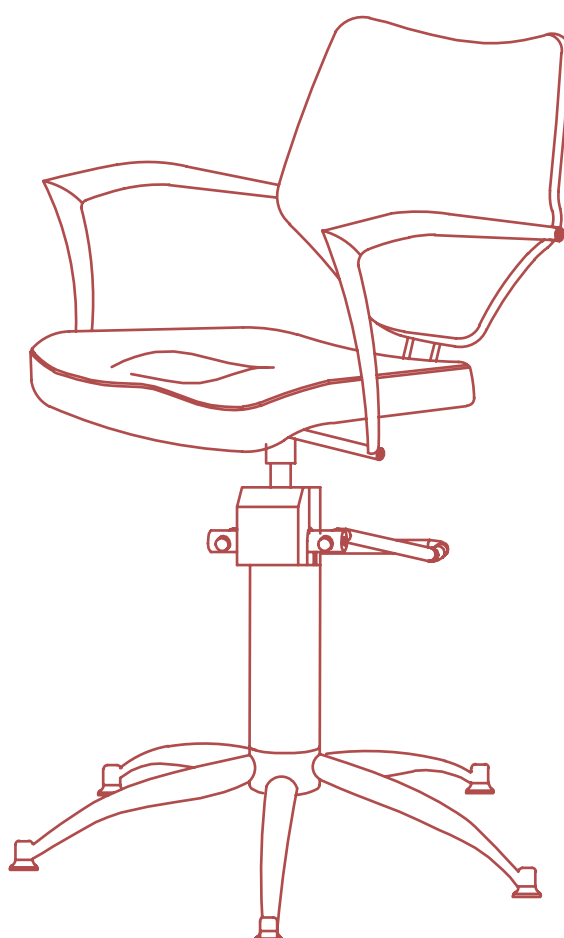
REF. / RZC009.A12

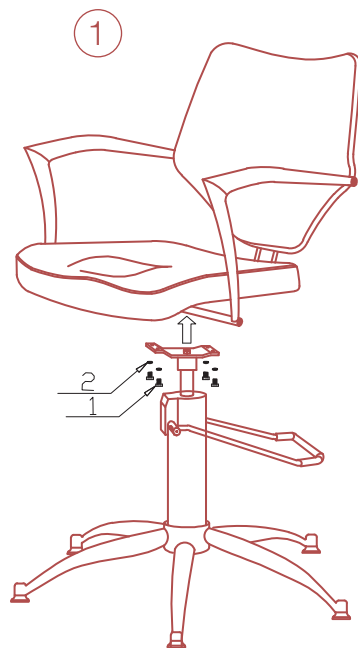
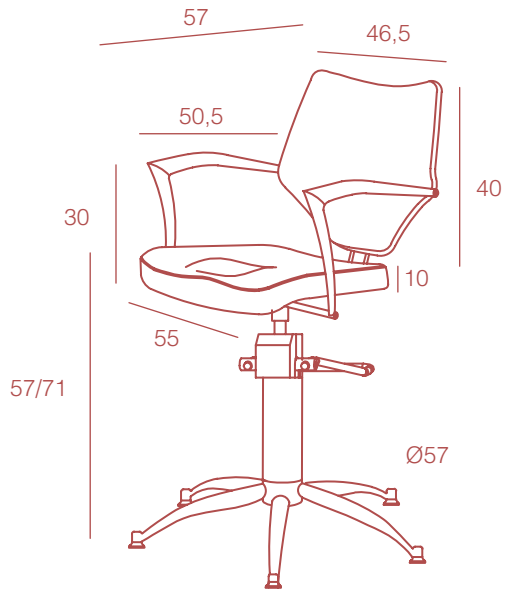


product:  
55x57x57/71 cm  
packing:  
63x62x66 cm

PVC

20  
23  
kg





Clean with mild soap and water.